

# IPC-620H

Small and Compact Wall Mount chassis

IPC-620H is a small and compact wall mount chassis, equipped with the ECS series specific motherboards, supporting platform motherboards such as H81, H110, and H310. The product features compact size, high performance, and high cost-effectiveness, and has multiple IO ports and excellent expansibility in a small form factor. The chassis adopts a miniaturized design, which can meet the installation requirements in narrow spaces. Its main application areas include 3C manufacturing, machine vision, security inspection, highways and self-service terminals.



## Product Features



Small size  
strong expansibility

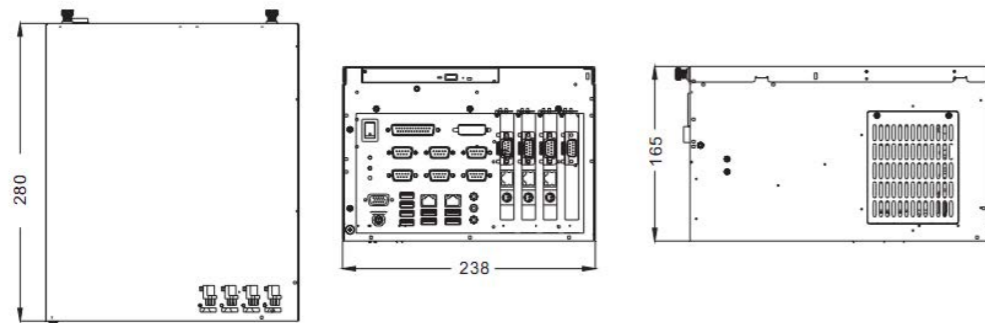


Flip type  
easy maintenance



Multiple IO ports

## Product Dimensions Drawing



Please refer to the user manual to check detailed specifications and dimension. (Unit: MM)

## Product Specifications

Item	Description
Motherboard	ECS-specific motherboard: H81 platform ECS-1830; H110 platform ECS-1839; H310 platform ECS-1852
Storage	1 x 2.5" hard disk shock absorption bay; 1 x ultra-thin optical drive bay (supports 1 x 2.5" hard disk installation)
I/O Ports	All the IO ports are located on one side, and details depend on different motherboard platforms
Power Supply	Small size PS2 ATX power supply or 1U small power supply
Working Temperature	0°C~50°C, 5%~90%(non-condensing)
Storage Temperature	-20°C~60°C, 5%~90%(non-condensing)
Dimensions (W×H×D)	280mm×165mm×238mm

## Ordering Information

Part No.	Model	Description
0020-061151	IPC-620H/ECS-1830/250W/barebone system	H81 platform motherboard/250W/6 x COM, 2 x USB3.0, 6 x USB2.0, 2 x LAN port, VGA+DVI-D, 1 x LPT, 1 group of audio ports, 1 x PS2, expansion: 2 x PCI+1 x PCIE4+1 x PCIE16
0020-065441	IPC-620H/ECS-1830-NS/250W	H81 platform motherboard/250W/6 x COM, 2 x USB3.0, 6 x USB2.0, 2 x LAN port, VGA+DVI-D, 1 x LPT, no sound card, 1 x PS2, expansion: 2 x PCI+1 x PCIE4+1 x PCIE16
0010-088461	IPC-620H-03/I3-4330-2G-500G-300W-no optical drive	H81 platform motherboard/I3-4330/2G memory/500G HDD/300W power supply/6 x COM, 2 x USB3.0, 8 x USB2.0, 2 x LAN port, VGA+DVI-D, 1 x LPT, 1 group of audio ports, 1 x PS2, expansion: 2 x PCI+1 x PCIE4+1 x PCIE16
0010-120321	IPC-620H-04/I5-4590S-4G-1TB-300W-no optical drive	H81 platform motherboard/I5-4590S/4G memory/1TB hard disk/300W power supply/6 x COM, 2 x USB3.0, 8 x USB2.0, 2 x LAN port, VGA+DVI-D, 1 x LPT, 1 group of audio ports, 1 x PS2, expansion: 2 x PCI+1 x PCIE4+1 x PCIE16
0020-062121	IPC-620H barebone system/ECS-1839/250W	H110 platform motherboard/250W power supply/2 x COM, 4 x USB3.0, 4 x USB2.0, 2 x LAN port, VGA+HDMI, 1 x LPT, 1 group of audio ports, expansion: 2 x PCI+1 x PCIE4+1 x PCIE16
0020-065431	IPC-620H/ECS-1839-NS/250W	H110 platform motherboard/250W power supply/2 x COM, 4 x USB3.0, 4 x USB2.0, 2 x LAN port, VGA+HDMI, 1 x LPT, no sound card, expansion: 2 x PCI+1 x PCIE4+1 x PCIE16
0010-106041	IPC-620H/ECS-1839/G3900/4G/500G/250W	H110 platform motherboard/G3900/4G memory/500G HDD/250W power supply/6 x COM, 4 x USB3.0, 4 x USB2.0, 2 x LAN port, VGA+HDMI, 1 x LPT, 1 group of audio ports, expansion: 2 x PCI+1 x PCIE4+1 x PCIE16
0010-106051	IPC-620H/ECS-1839/I3-6100/4G/500G/250W	H110 platform motherboard/I3-6100/4G memory/500G HDD/250W power supply/6 x COM, 4 x USB3.0, 4 x USB2.0, 2 x LAN port, VGA+HDMI, 1 x LPT, one group of audio ports, expansion: 2 x PCI+1 x PCIE4+1 x PCIE16
0010-106061	IPC-620H/ECS-1839/I5-6500/4G/1T/250W	H110 platform motherboard/I5-6500/4G memory/1T HDD/250W power supply/6 x COM, 4 x USB3.0, 4 x USB2.0, 2 x LAN port, VGA+HDMI, 1 x LPT, 1 group of audio ports, expansion: 2 x PCI+1 x PCIE4+1 x PCIE16
0010-106071	IPC-620H/ECS-1839/I7-6700/8G/1T/250W	H110 platform motherboard/I7-6700/8G memory/1T HDD/250W power supply/6 x COM, 4 x USB3.0, 4 x USB2.0, 2 x LAN port, VGA+HDMI, 1 x LPT, 1 group of audio ports, expansion: 2 x PCI+1 x PCIE4+1 x PCIE16
0020-065471	IPC-620H/ECS-1852/250W	H310 platform motherboard/supports Intel® 8th/9th LGA1151 pin series processors, TDP maximum power consumption 95W/supports two DDR4 memory modules, supporting up to 64G/250W power supply/2 x COM, VGA+HDMI, 4 x USB3.1, 4 x USB2.0, 2 x RJ45, 1 group of audio ports; expansion: 2 x PCI+1 x PCIE4+1 x PCIE16
0010-152231	IPC-620H/ECS-1852/G4900/4G/128G/250W	H310 platform motherboard/G4900/4G memory/128G SSD/250W power supply/6 x COM, VGA+HDMI, 4 x USB3.1, 4 x USB2.0, 2 x RJ45, 1 x LPT, 1 group of audio ports; expansion: 2 x PCI+1 x PCIE4+1 x PCIE16
0010-152241	IPC-620H/ECS-1852/I3-8100/4G/128G/250W	H310 platform motherboard/I3-8100/4G memory/128G SSD/250W power supply/6 x COM, VGA+HDMI, 4 x USB3.1, 4 x USB2.0, 2 x RJ45, 1 x LPT, 1 group of audio ports; expansion: 2 x PCI+1 x PCIE4+1 x PCIE16
0010-152251	IPC-620H/ECS-1852/I5-8500/8G/1T/250W	H310 platform motherboard/I5-8500/8G memory/1T HDD/250W power supply/6 x COM, VGA+HDMI, 4 x USB3.1, 4 x USB2.0, 2 x RJ45, 1 x LPT, 1 group of audio ports; expansion: 2 x PCI+1 x PCIE4+1 x PCIE16
0010-152261	IPC-620H/ECS-1852/I7-8700/8G/1T/250W	H310 platform motherboard/I7-8700/8G memory/1T HDD/250W power supply/6 x COM, VGA+HDMI, 4 x USB3.1, 4 x USB2.0, 2 x RJ45, 1 x LPT, 1 group of audio ports; expansion: 2 x PCI+1 x PCIE4+1 x PCIE16

Note: The final interpretation rights for product specifications, ordering information, etc. belong to EVOC Intelligent Technology Co., Ltd.