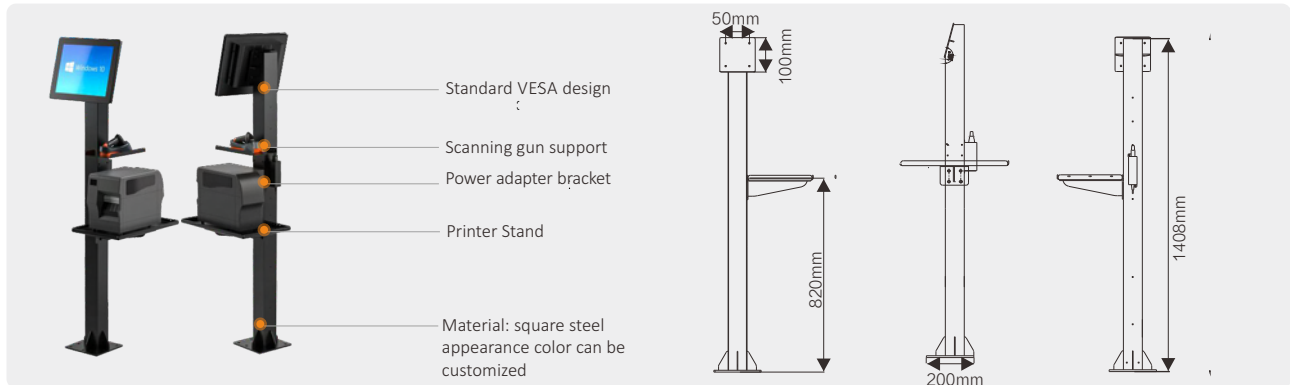
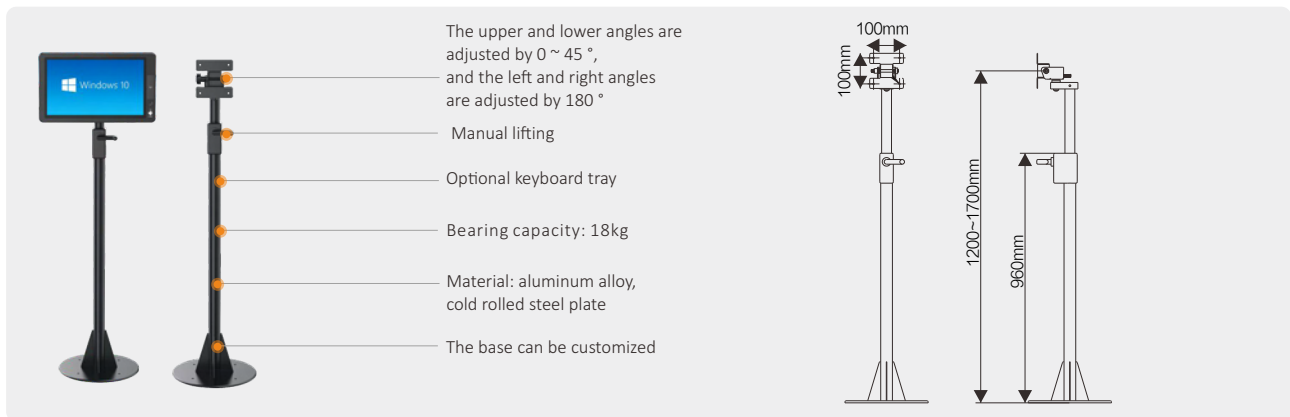


# Industrial tablet computer mounting bracket

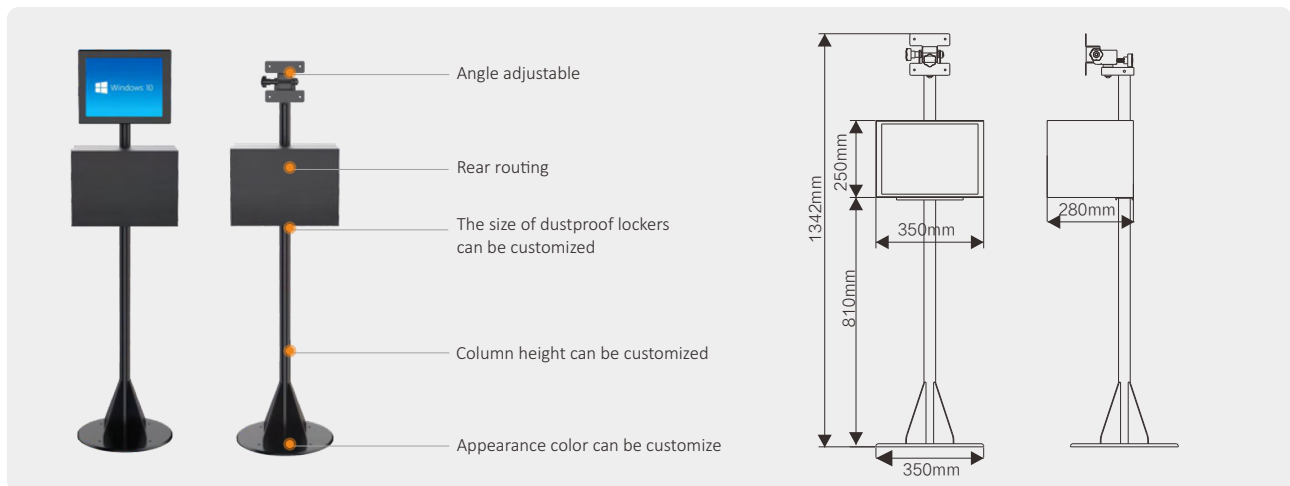
## Standing Mounted Cabinet BKT-F1



## Standing mounting bracket BKT-F2



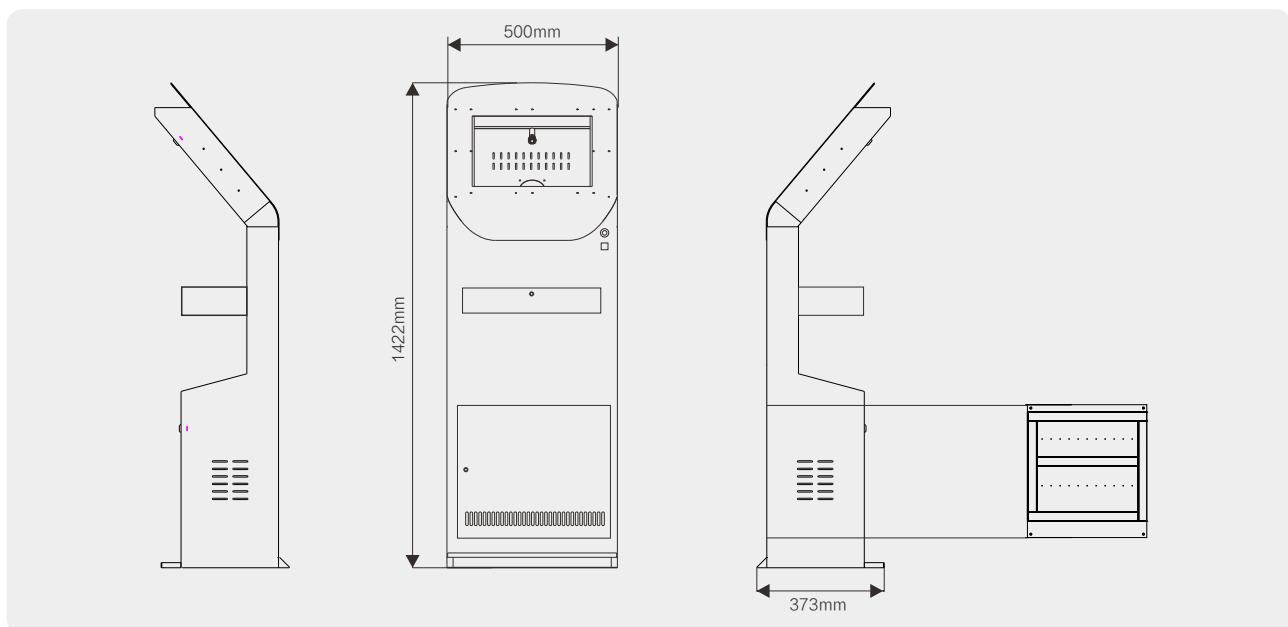
## Standing mounting bracket BKT-F3



## Stand mounted cabinet BKT-SC1



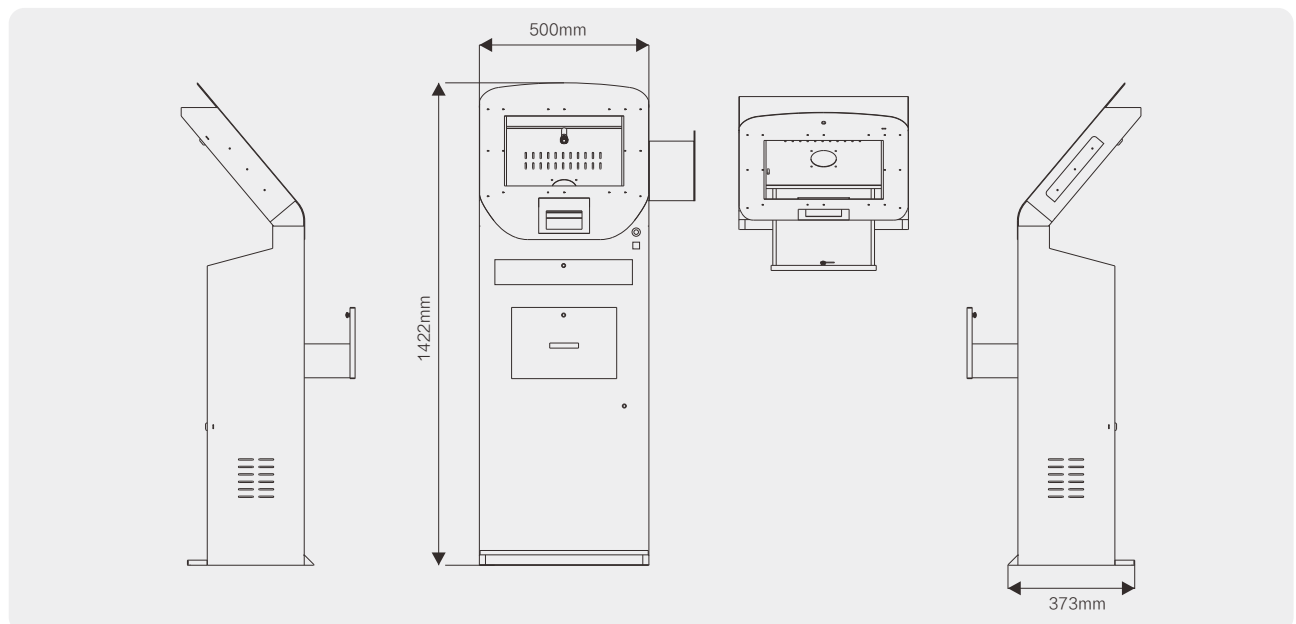
## Dimensions



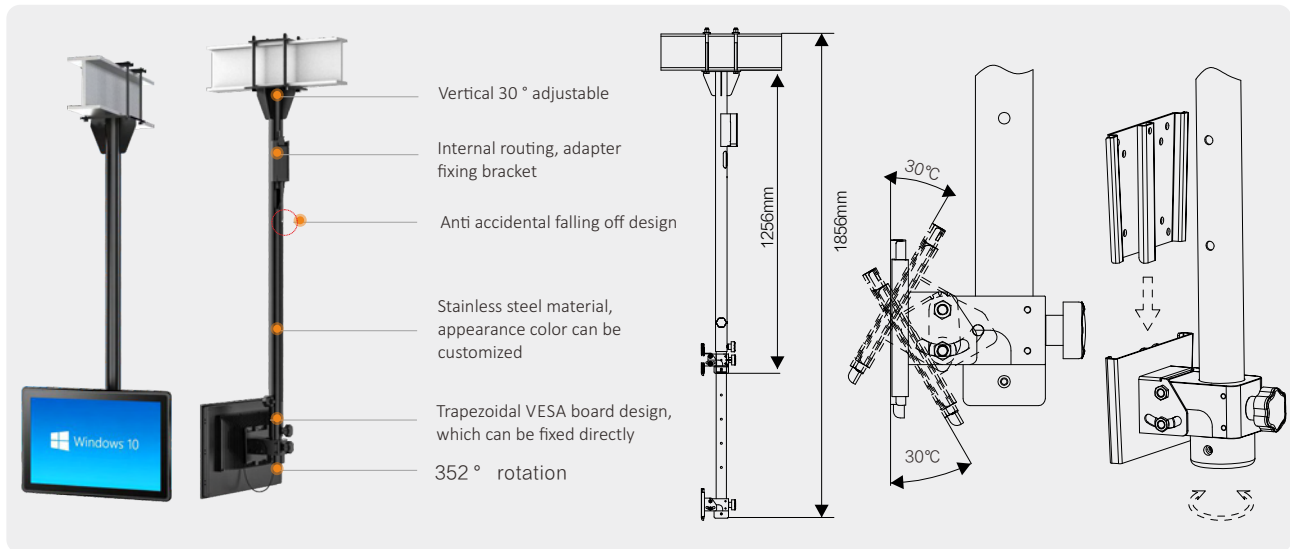
## Stand mounted cabinet BKT-SC2



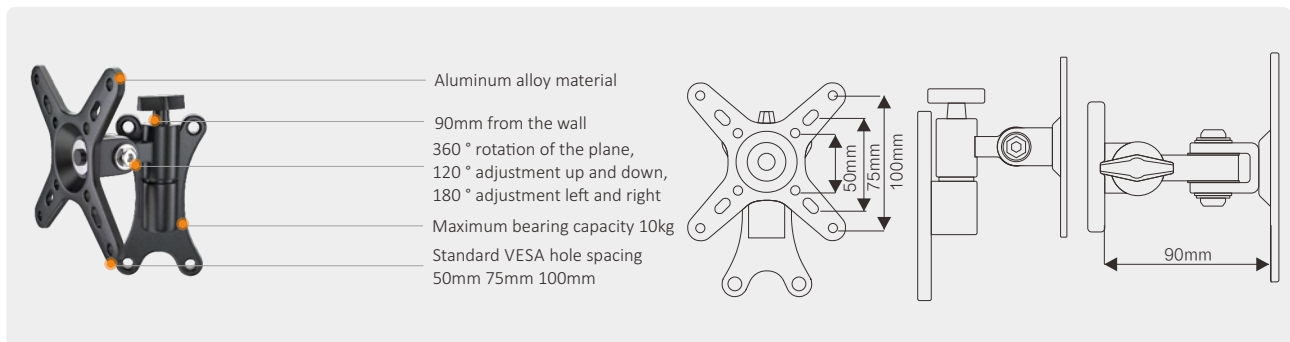
## Dimensions



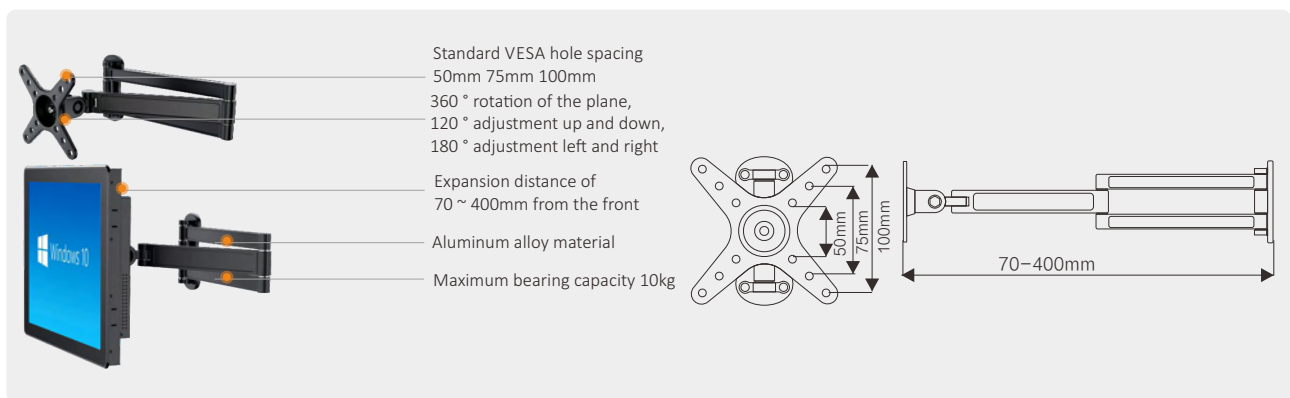
## Ceiling mounting bracket BKT-C1



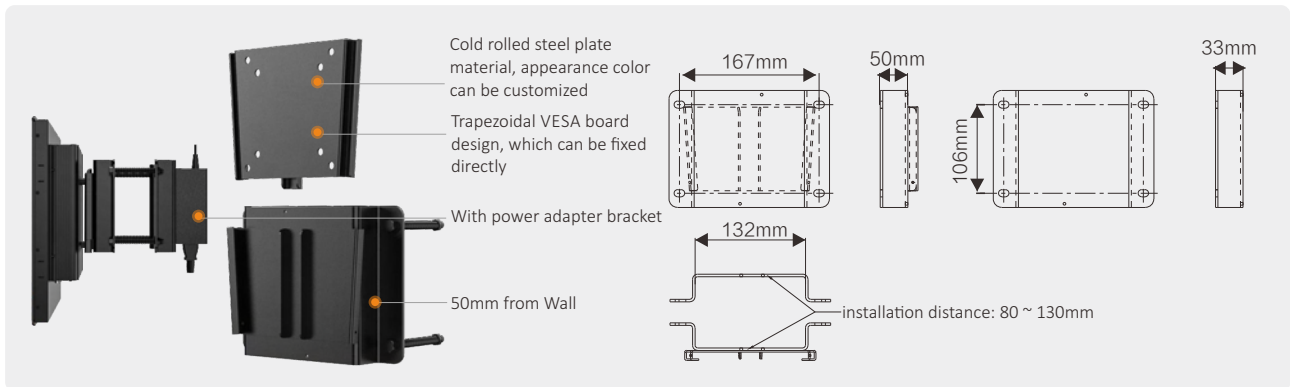
## Wall hanging support BKT-W1



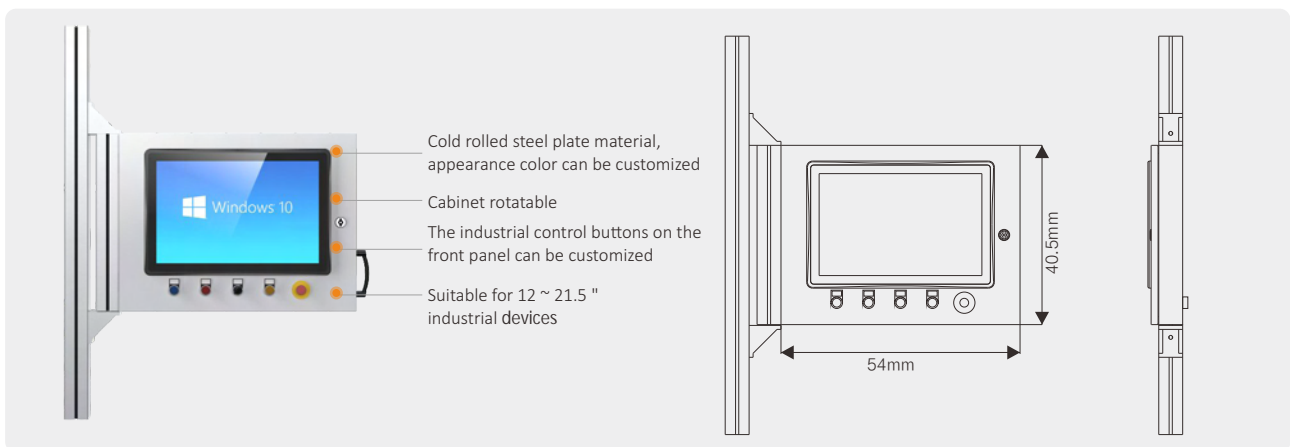
## Wall hanging support BKT-W2



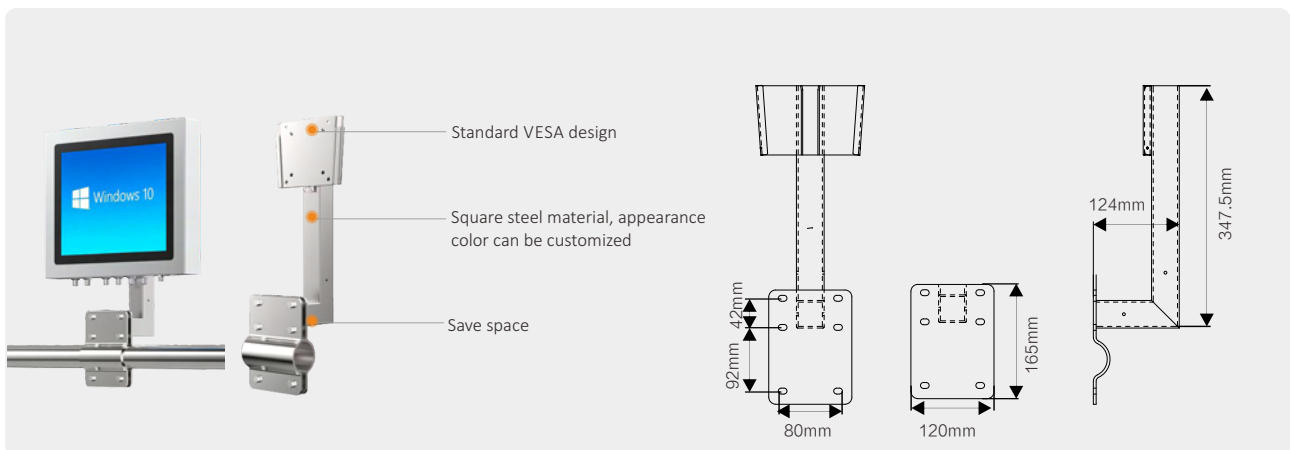
## Wall hanging support BKT-W3



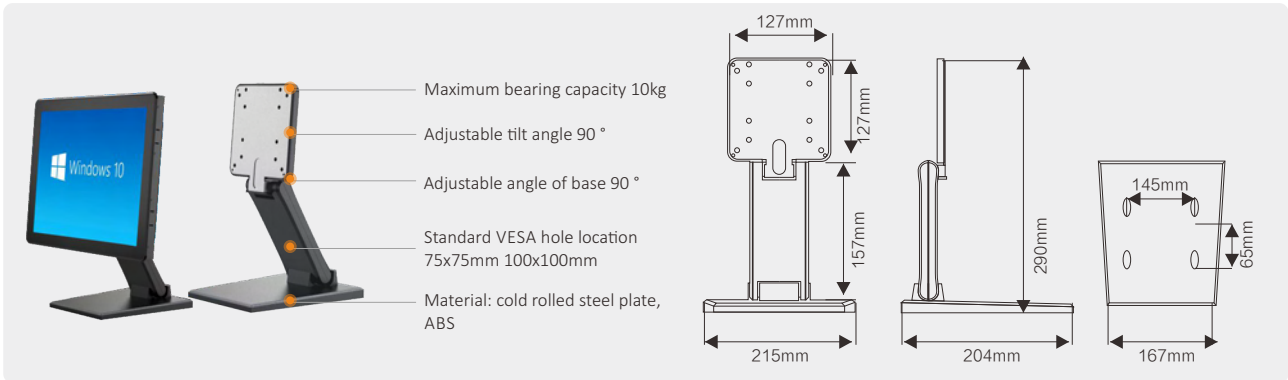
## Wall mounted cabinet BKT-W4



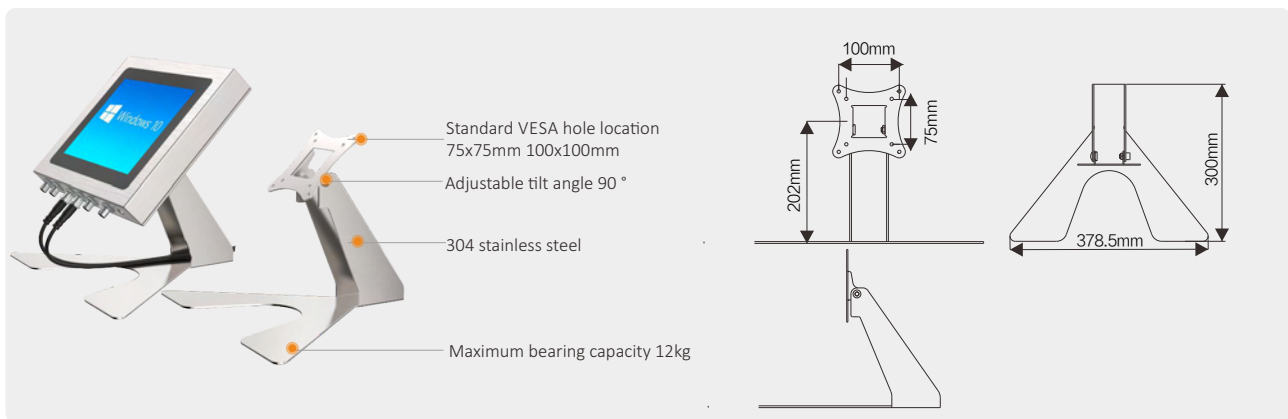
## Mounting bracket at guardrail position BKT-W5



## Desktop mounting bracket BKT-D1



## Desktop mounting bracket BKT-D2



## Logistics Intelligent trolley MT-100

