

# FMT-510A



**Parhelia B.V.**  
www.parheliabv.com  
+31(0)10 741 00 28

7", Capacitive Touch, Unisoc 8581, Android 10, WiFi / Bluetooth / 4G / GPS, Fleet Management Data Terminal



A: LAN  
B: USB  
C: USB  
D: SIM  
E: DC 8~36V



## Introduction

FMT-510A is a lightweight in-vehicle terminal designed for the fleet management industry, equipped with a 7-inch capacitive touch screen. The FMT-510A is based on the Unisoc high-performance 8-core processor and Android 10 operating system. It does have a build-in WiFi, Bluetooth, 4G, and GPS to achieve real-time transmission and all-around monitoring and management of vehicles.

## Features

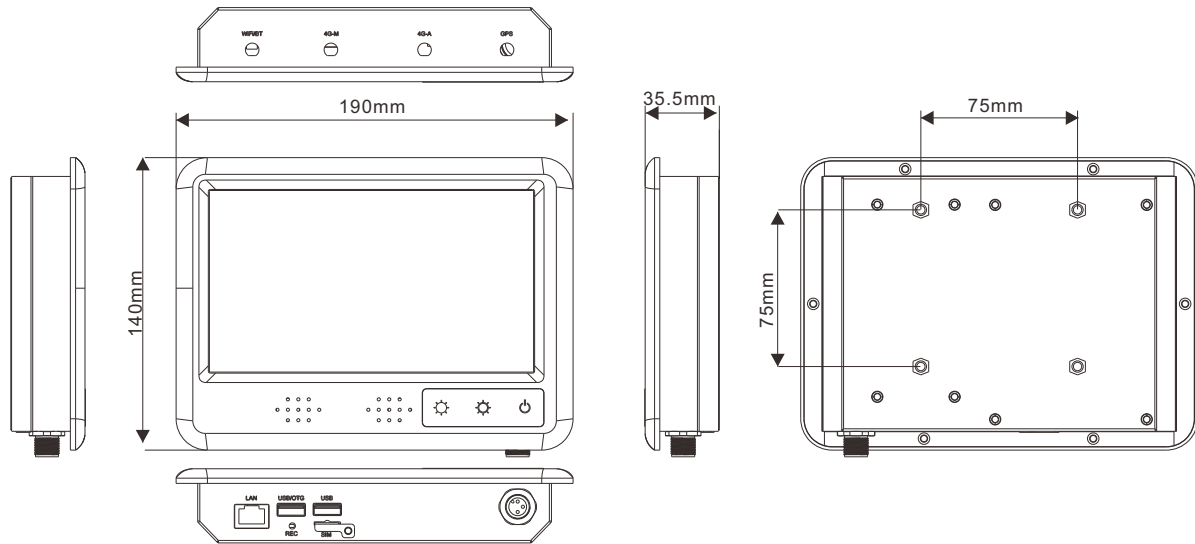
- 7-inch(1024x600) LCD with capacitive touchscreen
- Unisoc high-performance 8-core processor, up to 1.6GHz
- Rugged metal enclosure and fanless design
- Wide range 8-36V DC power input
- Build-in WiFi, Bluetooth, LTE, GPS

## Applications

- Manufacturing Logistics
- Warehouse Management
- Vehicle management of driving school



## Dimensions



## Specifications

### System

Processor	Unisoc 8-core Cortex-A55, up to 1.6GHz
System Memory	2GB LPDDR4
Storage	32GB EMMC
Operating System	Android 10

### Display

Size	7-Inch
Resolution(H x V)	1024 x 600
Brightness	300 cd/m <sup>2</sup>
Touchscreen	Capacitive

### Keypad & Keyboard

Keypad & Keyboard	Power on/off Brightness +/-
-------------------	--------------------------------

### RF Communication

WLAN	802.11 a/b/g/n/ac (2.4G/5G)
WWAN	4G LTE, FDD/TDD, TD-SCDMA/WCDMA, CDMA/GSM
GPS	GPS/BeiDou
Bluetooth	Bluetooth V5.0

### I/O Connectors

Series Port	1 x RS-232/422/485, 1 x RS-232
USB Port	1 x USB2.0, 1 x USB3.0
LAN Port	1 x GbE LAN (RJ45)
Others	1 x SIM Card Slot (push and push) 1 x Power Connector (M12) 7 x SMA Connectors for External Antenna (WiFi, Bluetooth, WWAN, GPS)

### Audio

Speaker	2 x Speaker (4ohm, 2w)
---------	------------------------

### Power Management

Power Input	8~36V DC
Power Consumption	14W typ.
Ignition On/Off	Power on delay, default 10 seconds; Power off delay, default 10 seconds; (On/Off delay time can be changed via BIOS setting);

### Environmental

Operating Temperature	-20~60°C
Relative Humidity	5%-95%, non-condensing
IP Grade	IP54
Shock and Vibration	Shock: MIL-STD-810G Method 516.6 Procedure I Vibration: MIL-STD-810G Method 514.6 Procedure I
Certifications	CE, FCC

### Mechanical

Housing	Aluminum+SGCC
Dimension (W x L x H)	190×140×35.5mm
Weight	640g