

DPM-1101G

10.1 ", capacitive touch screen Industrial touch display



Features

- 10.1 "LCD, capacitive touch
- Compact structure, front panel IP65 dustproof and waterproof
- All-metal structure design, solid and durable
- Support panel and VESA installation
- 1000 lumen display,
- Touch screen surface AG AF treatment



Specifications

Display

Size	10.1-inch
Resolution	1920 x 1080
Viewing Angle	80/80/80/80
Color Support	16.7M
Brightness	1000 cd/m ²
Contrast Ratio	700:1
Response Time	3/5 (Typ.)(Tr/Td) ms
Backlight	LED
Backlight Life	30000 h

Touch Screen

Type	Projection multi touch capacitive touch screen
Control interface	USB
Surface hardness	≥7H
Glass cover	AG AF
Transmittance	85%

I/O Connectors

USB	1 x USB2.0
Display	1 x VGA 1 x DVI
Others	1 x HDMI/DP 1 x DC-IN (2-Pin Phoenix)

Power Specification

Power Input	DC 12~24V
Power Adapter	AC-DC, 12V@5A, 60W
Power Consumption	11W(Typ.)

Environmental

Operating Temperature	-10~50°C
Storage Temperature	-20~60°C
Relative Humidity	10%-90%,@ 40°C (non-condensing)
Vibration	5~500Hz, 0.026 G ² /Hz, 2.16 Grms, X, Y, Z, 1 hour per axis
Certifications	CE, FCC

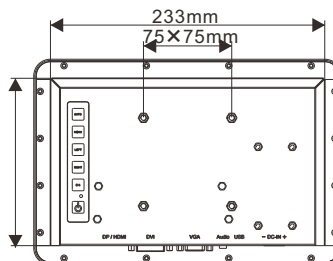
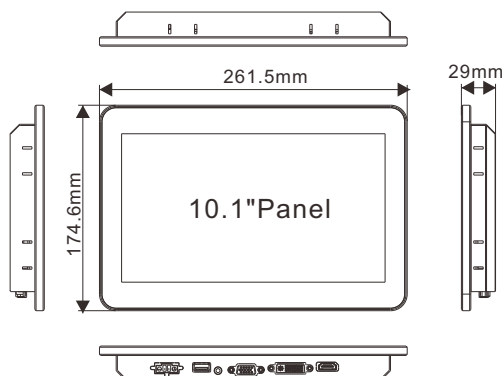
Mechanical

Housing	Aluminum alloy panel, all-metal structure
Mounting Method	Panel-mount, VESA-mount
Dimension (W x L x H)	261.5 x 174.6 x 29 mm
Weight	1.1Kg

Packing List

- 1 x DPM-1101G
- 1 x AC-DC power adapter
- 1 x USB control cable
- 1 x VGA data cable
- 1 x fixed cable buckle
- 1 x Certificate
- 1 x Warranty Card
- 8 x Panel Mounting Buckles

Dimensions



- A: DP/HDMI
- B: DVI
- C: VGA
- D: Audio
- E: USB
- F: DC-IN