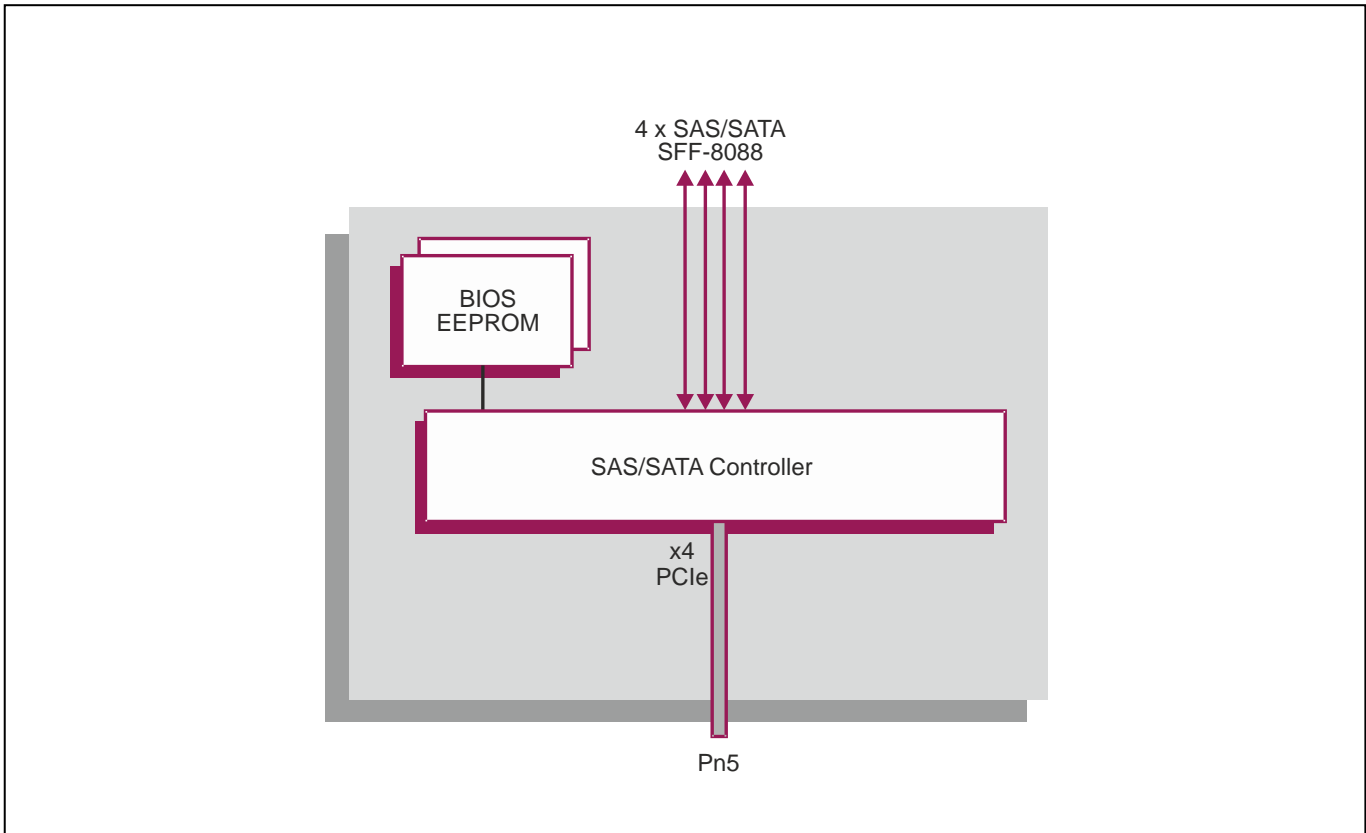
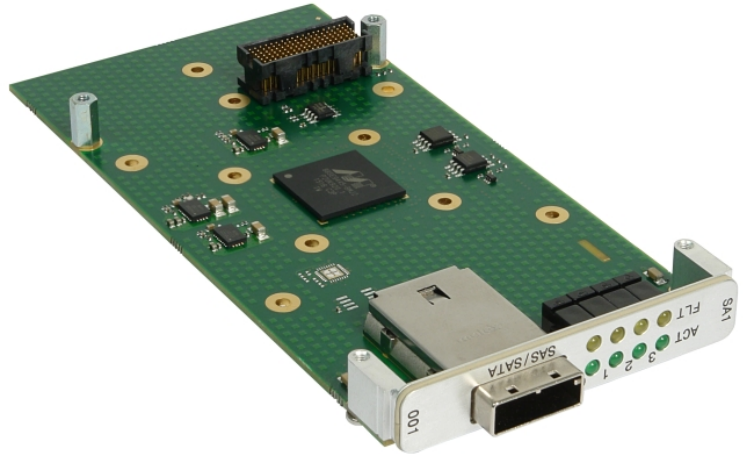


Quad SAS/SATA Port XMC Adapter

Key Features

XM SA1/001 is an XMC module with the capability to connect to 4 external SAS or SATA drives via a convenient front panel connector. XM SA1/001 supports up to 6 Gbps drives and is also compatible with lower speed drives for in-field flexibility.

- 4 x SAS/SATA ports
- Front panel SFF-8088 connector
- Suitable for use on a board with an XMC expansion slot
- Air-cooled versions available
- Support for Linux[®] and Windows[®]



Quad SAS/SATA Port Adapter

- XMC adapter design provides four SAS/SATA ports:
 - transfer speeds of 1.5, 3.0 and 6.0 Gbps
 - allows mixing of SAS and SATA storage devices
 - RAID mode is not supported
- implemented using a Marvell 88SE9445 PCI Express® to SAS/SATA controller
- ports accessed via front panel mini SAS 4X connector (SFF-8088) which supports several widely available cabling options for storage device connectivity:
 - front panel LED activity indicator per port

XMC Interface

- complies with VITA 42.0 and VITA 42.3
- PCI Express (PCIe®) to SATA 3.0/SAS 2.0 controller
- complies with PCI Express Protocol Specification 2.0 including:
 - x1, x2 or x4 PCI Express interface
 - supports Gen 1 and Gen 2

BIOS EEPROM

- two 4Mbit SPI Flash EEPROMs to allow optional support of BIOS firmware which provides OS boot on Intel® processor based host boards
- in-circuit programmable

Software

- supported by Linux® and Windows®

Electrical Specification

- maximum +3.3V current 1.6A
- +3.3V +5%/-5%
- VPWR is not utilized
- +12V, -12V is not utilized

Environmental Specification

- operating temperature:
 - 0°C to +55°C (N-Series)
- non-operating temperature: -40°C to +85°C
- 5% to 95% Relative Humidity, non-condensing

Mechanical Specification

- single size CMC (Common Mezzanine Card) 74mm x 149mm:
 - conforming to ANSI/VITA 42.0-2008
- 10mm height stack module

