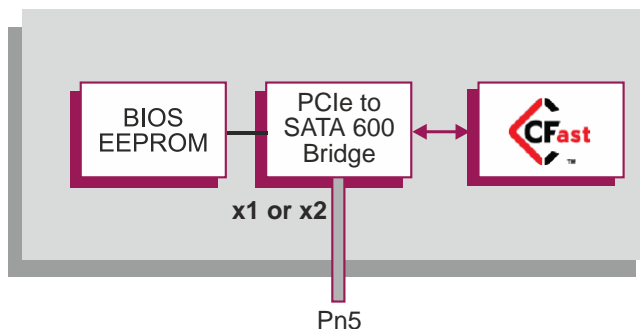


Rugged CFast Carrier XMC Module

Key Features

XM 610/001-RC is a rugged XMC module designed to carry a CFast™ storage card. It is suitable for use on a conduction-cooled board with an XMC site.

- Designed to support a CFast card in rugged applications
- Supplied with retention bracket
- Suitable for use on a board with an XMC expansion slot
- Air-cooled version also available



Rugged CFast Carrier XMC Module

- XMC Module designed to carry a XMC CFast™ card (Type I) in rugged applications:
 - transfer speeds up to 6 Gbps
 - support for Type I CFast cards up to SATA 3.0
 - 3.3V CFast cards only
- hot-swap is not supported
- front panel LED activity indicator

XMC Interface

- PCI Express® (PCIe®) to SATA bridge to CFast site
- complies with PCI Express Protocol Specification 2.0 including:
 - x1 or x2 PCI Express interface
 - supports Gen 1 and Gen 2

BIOS EEPROM

- 4Mbit SPI Flash EEPROM with BIOS firmware to support OS Boot
- In-circuit programmable

Software

- operating system support dependent on the host processor used

Electrical Specification

- maximum VPWR current without CFast card fitted:
 - +5V @ 0.6A or
 - +12V @ 0.3A
- +5V +5%/-5%, +12V +5%/-5%
- -12V not utilized

Environmental Specification

- conduction-cooled operating temperature (RC-Series):
 - VITA 47 Class CC4, -40°C to +85°C
 - conduction-cooled
- non-operating temperature:
 - VITA 47 Class C4, -55°C to +105°C
- operating altitude:
 - -1,000 to 50,000 feet (-305 to 15,240 meters)
- 5% to 95% Relative Humidity, non-condensing:
 - includes conformal coating

Mechanical Specification

- single size CMC (Common Mezzanine Card) 74mm x 149mm:
 - conforming to ANSI/VITA 42.0-2008
- 10mm height stack module

