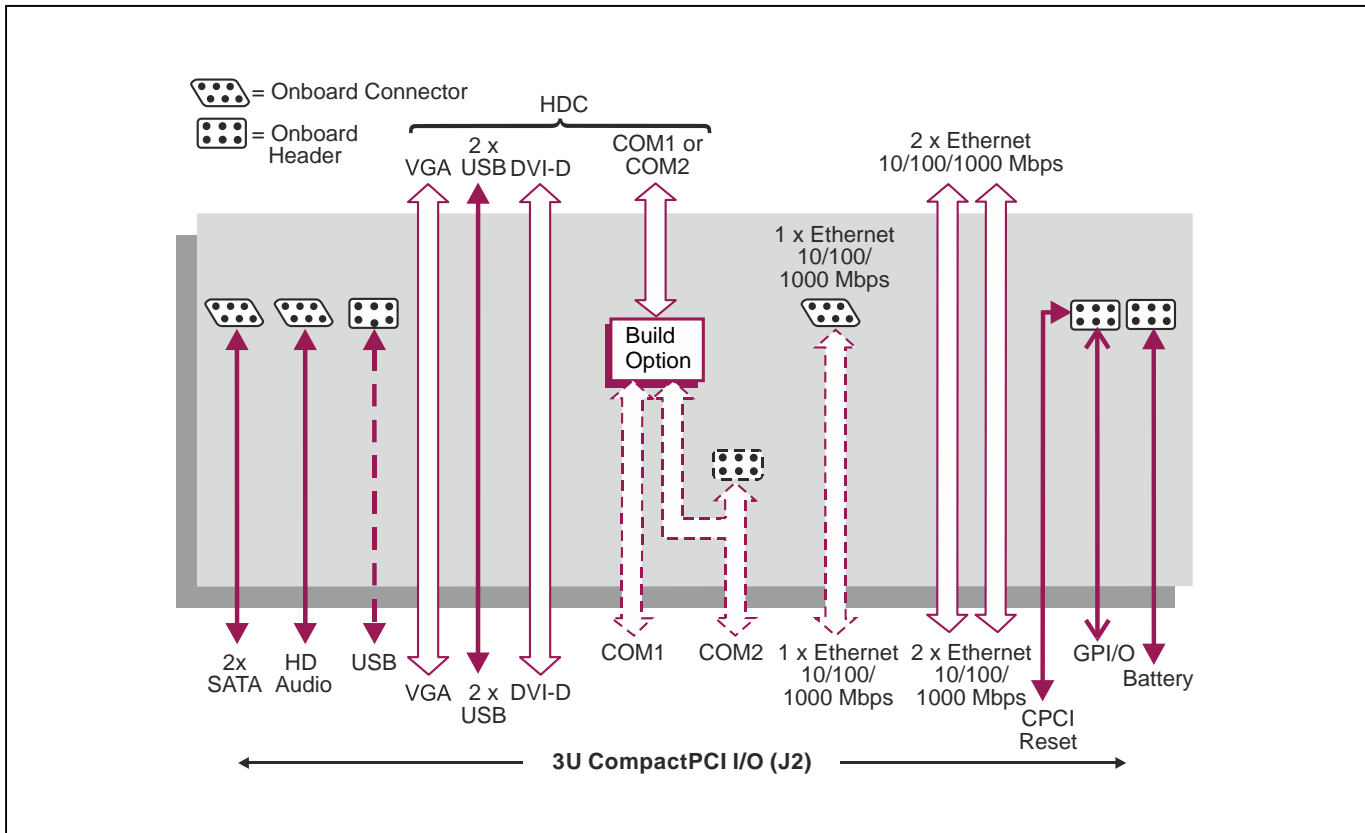
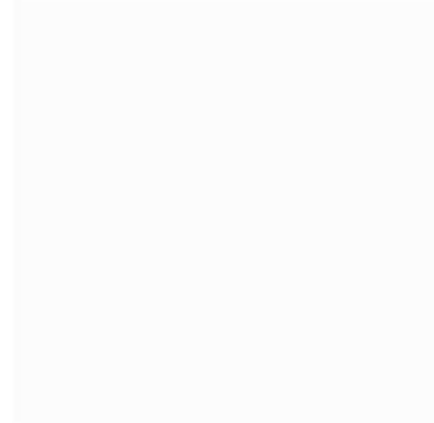


Rear Transition Module

Key Features

AD TP1/010 is a Rear Transition Module that is designed to complement the Concurrent Technologies 3U CompactPCI® TP D2x/msd processor board.

- Splitter cable CB 60D/125-00 is required to access some front panel interfaces



Electrical Specification

- all voltages to be within +5%
- +5V@0.0A; +3.3V@0.0A; +12V@0.0A; -12V@0.0A

Environmental Specification

- operating temperatures:
 - 0°C to +55°C (N-Series)
 - -25°C to +70°C (E-Series)
 - -40°C to +85°C (K-Series)
- 5% to 95% Relative Humidity, non-condensing (operating):
 - K-Series includes humidity sealant
- -40°C to +85°C (non-operating)
- 5% to 95% Relative Humidity, non-condensing (non-operating)

Mechanical Specification

- 3U form-factor:
3.9-inches x 3.2-inches (99mm x 80mm)
- single slot: 0.8-inches (20.3mm)
- connectors: IEC-1076-4-101 for J2
- shock: 20g, 11ms, ½ sine (operating)
- vibration: 5Hz-2000Hz at 2g, 0.38mm peak displacement (operating)

Further Information

- For further information refer to the board's Technical Reference Manual

